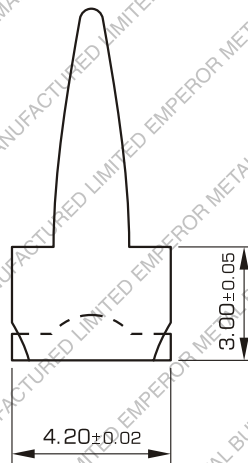
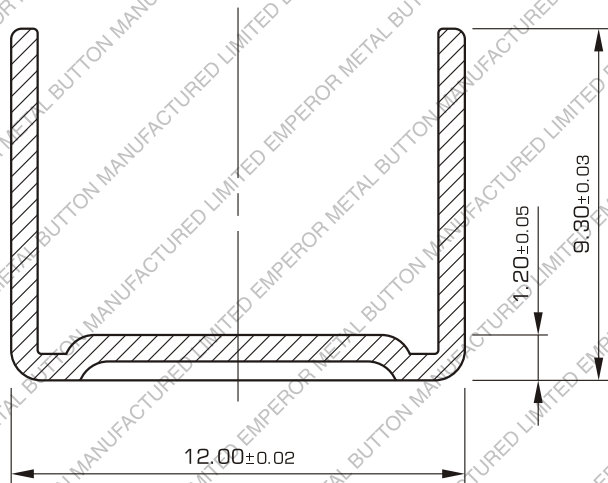
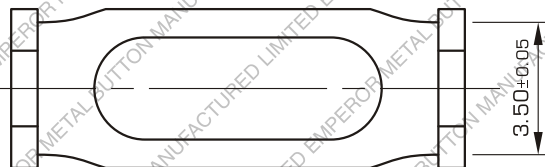


ITS

TEST REPORT

ELECTROPLATING TEST REPORT



TITLE

TH1160 C PART

MATERIAL
**0.70
BRASS**

HARDNESS

SCALE
5 : 1

SHEET NO.
1 OF 1



EMPEROR

METAL BUTTON MFY. LTD.

UNLESS OTHERWISE SPECIFIED

DIM MM±
.00 .2

DIM MM±
.00 .02

ANGLE±