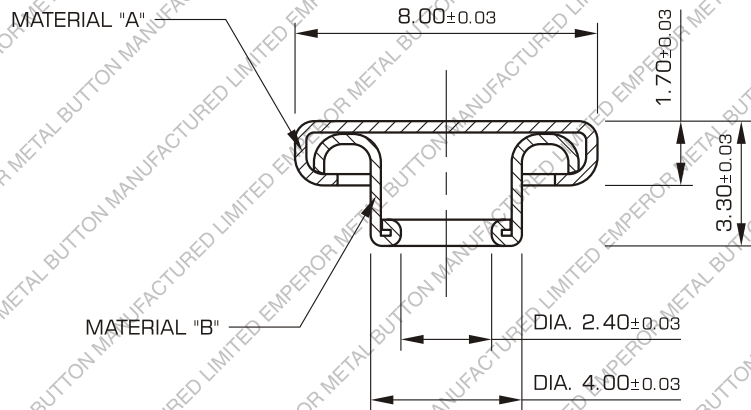
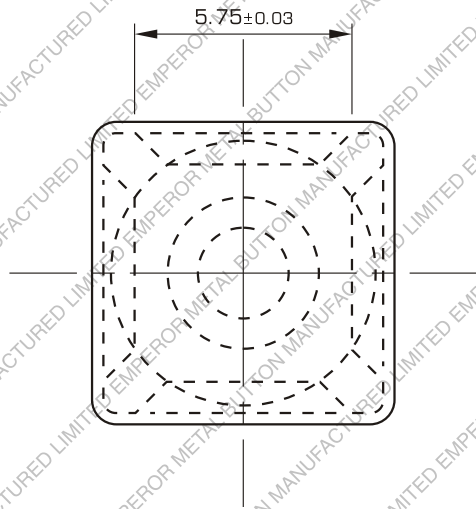


ITS

TEST REPORT

ELECTROPLATING TEST REPORT



TITLE

8 x 8mm SQUARE CAP RIVET



MATERIAL
 A-0.30 BRASS
 B-0.27 BRASS

HARDNESS

SCALE

5 : 1

SHEET NO.

1 OF 1

EMPEROR

METAL BUTTON MFY. LTD.

UNLESS OTHERWISE SPECIFIED

DIM	MM±	DIM	MM±
.00	.2	.00	.02

DIM	MM±
.00	.02

ANGLE±