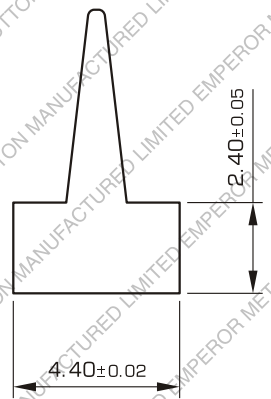
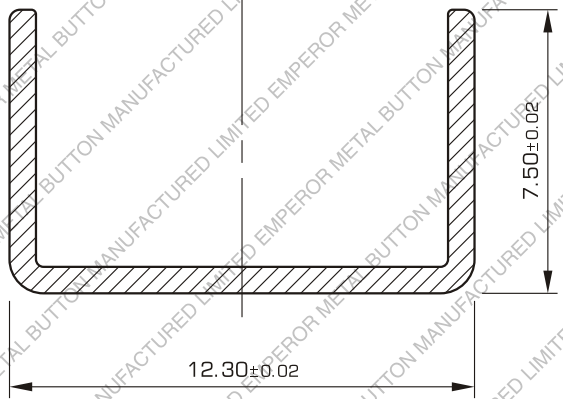


ITS

TEST REPORT

ELECTROPLATING TEST REPORT



TITLE
TH1130 C PART



MATERIAL 0.70 BRASS
HARDNESS
SCALE 5 : 1
SHEET NO. 1 OF 1

EMPEROR

METAL BUTTON MFY. LTD.

UNLESS OTHERWISE SPECIFIED

DIM	MM±	DIM	MM±	ANGLE±
.00	.2	.00	.02	