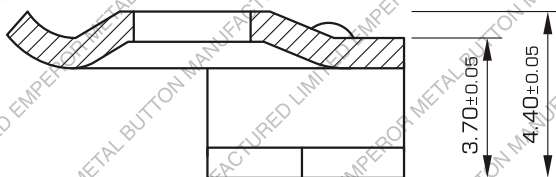
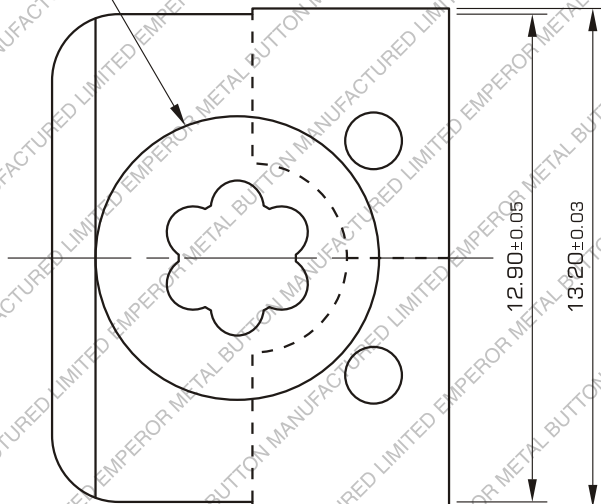


ITS

TEST REPORT

ELECTROPLATING TEST REPORT

DIA. 7.40±0.05



TITLE

ST C PART



MATERIAL
0.80
BRASS

HARDNESS

SCALE
5 : 1

SHEET NO.
1 OF 1

EMPEROR

METAL BUTTON MFY. LTD.

UNLESS OTHERWISE SPECIFIED

DIM MM±
.00 .2

DIM MM±
.00 .02

ANGLE±