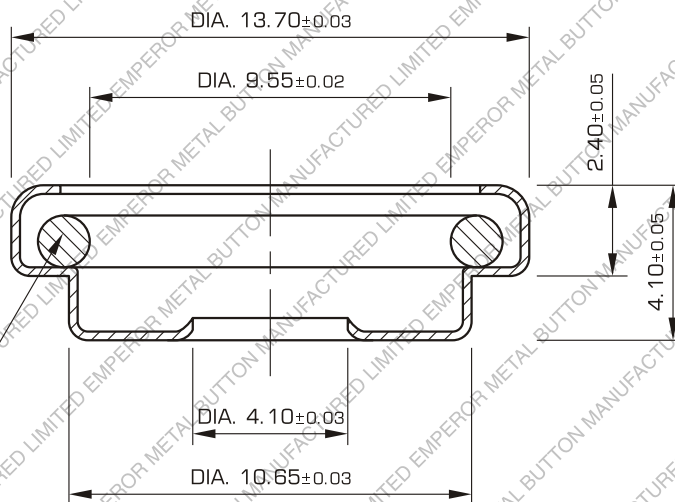
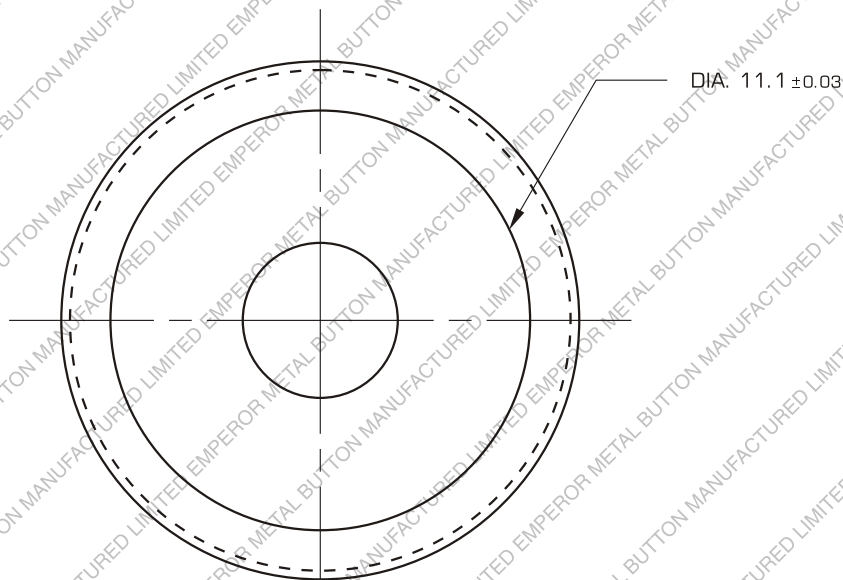


ITS

TEST REPORT

ELECTROPLATING TEST REPORT



DIA. 1.37 ± 0.02 RING

TITLE

405 B PART



MATERIAL
0.23
BRASS

HARDNESS

SCALE
5 : 1

SHEET NO.
1 OF 1

EMPEROR

METAL BUTTON MFY. LTD.

UNLESS OTHERWISE SPECIFIED

DIM .00 MM ± .2

DIM .00 MM ± .02

ANGLE ±