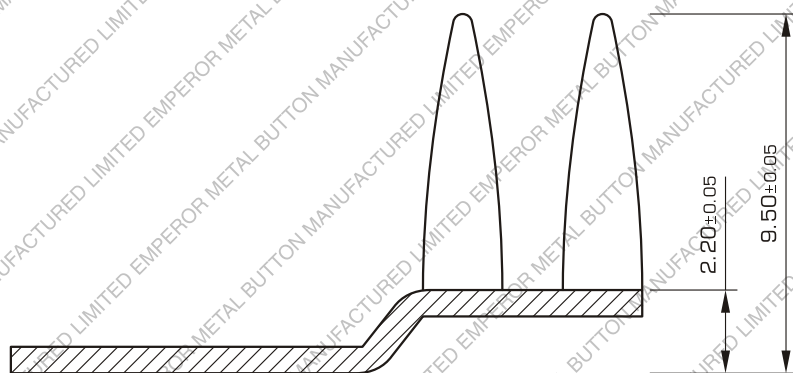
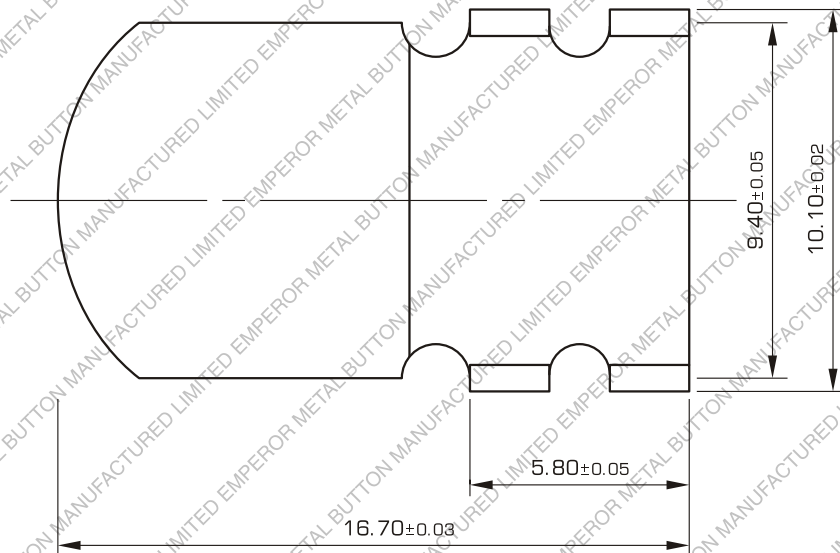


ITS

TEST REPORT

ELECTROPLATING TEST REPORT



TITLE

TH1160 A PART



MATERIAL  
0.70  
BRASS

HARDNESS

SCALE  
5 : 1

SHEET NO.  
1 OF 1

EMPEROR

METAL BUTTON MFY. LTD.

UNLESS OTHERWISE SPECIFIED

DIM MM±  
.00 .2

DIM MM±  
.00 .02

ANGLE±