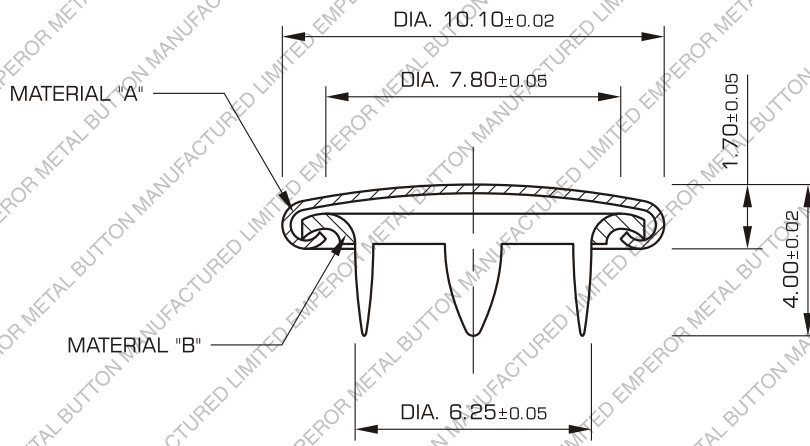
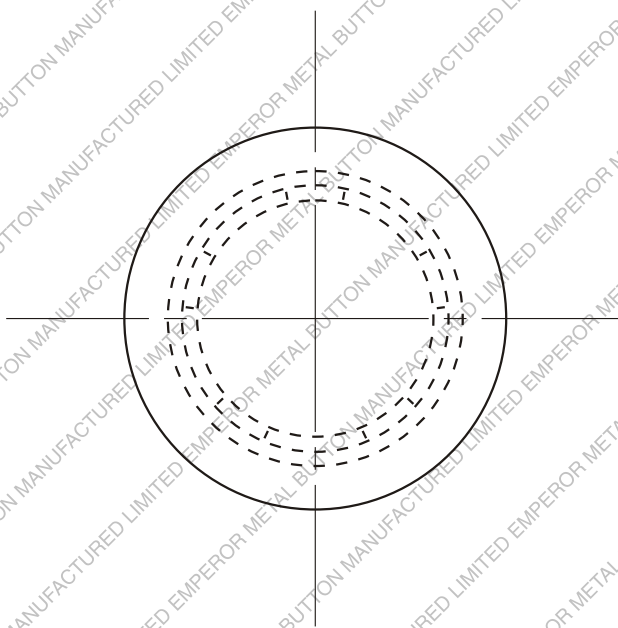


ITS

TEST REPORT

ELECTROPLATING TEST REPORT



TITLE
222-16#A PART



| | |
|-----------|------------------------------|
| MATERIAL | A-0.23 BRASS B-0.40 BRASS |
| HARDNESS | |
| SCALE | 5 : 1 |
| SHEET NO. | 1 OF 1 |

EMPEROR

METAL BUTTON MFY. LTD.

UNLESS OTHERWISE SPECIFIED

| DIM | MM± | DIM | MM± | ANGLE± |
|-----|-----|-----|-----|--------|
| .00 | .2 | .00 | .02 | |