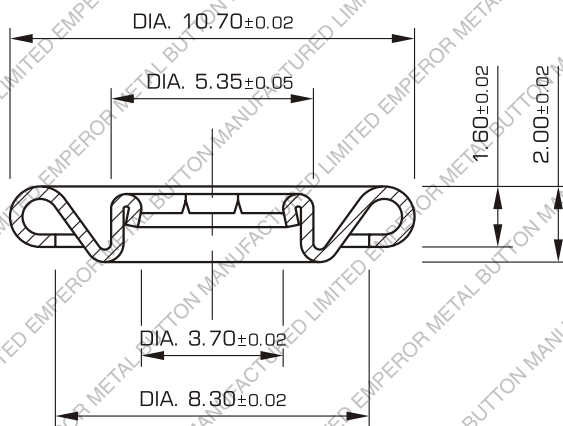
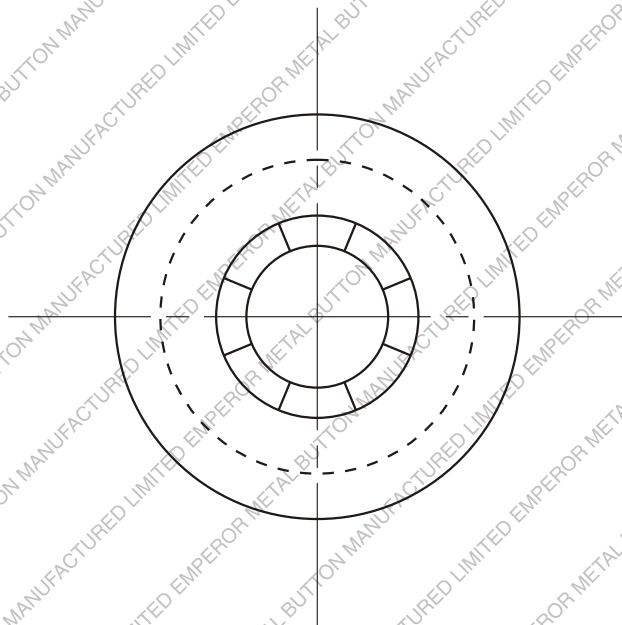


ITS

TEST REPORT

ELECTROPLATING TEST REPORT



TITLE

333 B PART



MATERIAL
0.33
BRASS

HARDNESS

SCALE
5 : 1

SHEET NO.
1 OF 1

EMPEROR

METAL BUTTON MFY. LTD.

UNLESS OTHERWISE SPECIFIED

DIM
.00

MM±
.2

DIM
.00

MM±
.02

ANGLE±