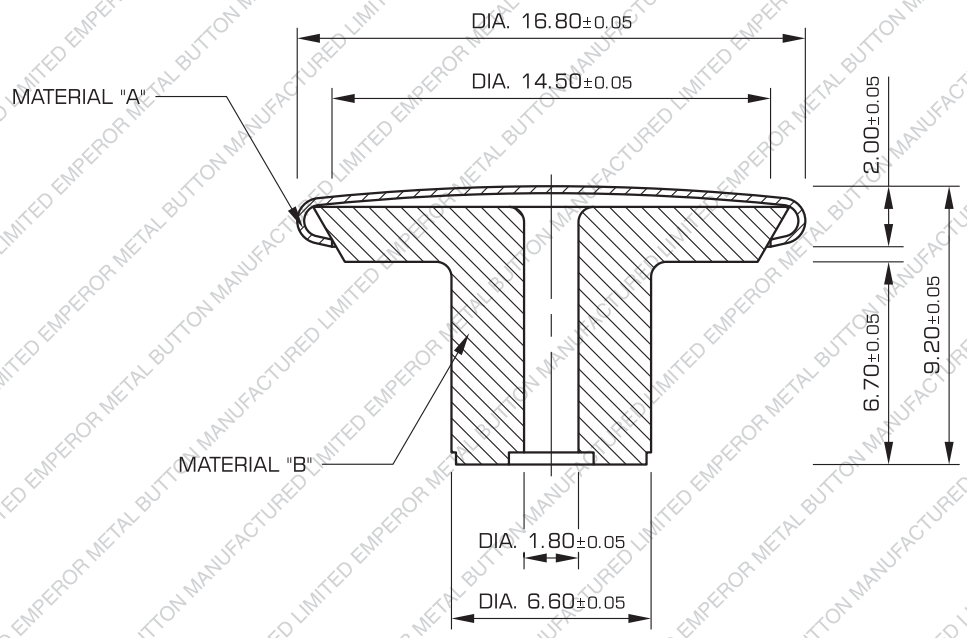
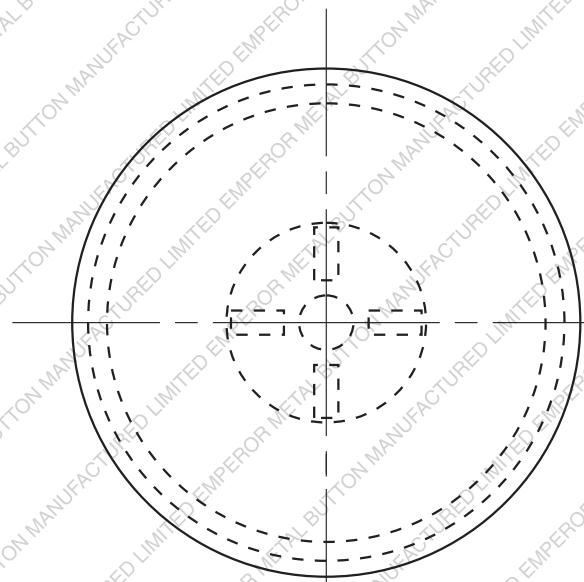


ITS

TEST REPORT

ELECTROPLATING TEST REPORT



TITLE

**JB26bn 16.8mm**



MATERIAL	A-0.23 BRASS B-NYLON
HARDNESS	
SCALE	4 : 1
SHEET NO.	1 OF 1

**EMPEROR**

METAL BUTTON MFY. LTD.

UNLESS OTHERWISE SPECIFIED

DIM	MM±	DIM	MM±	ANGLE±
.00	.2	.00	.02	