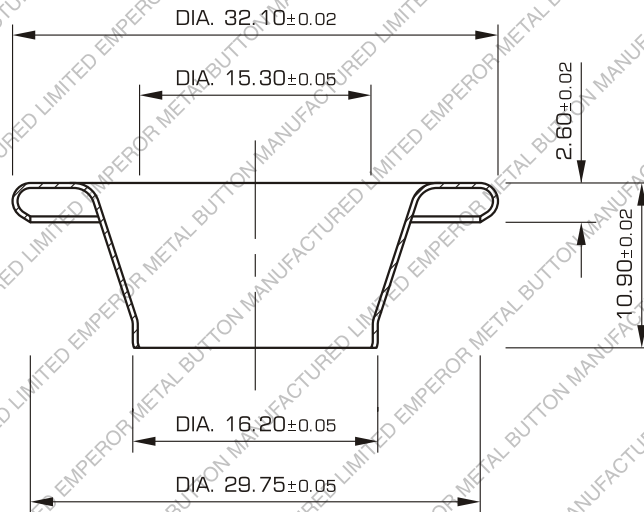
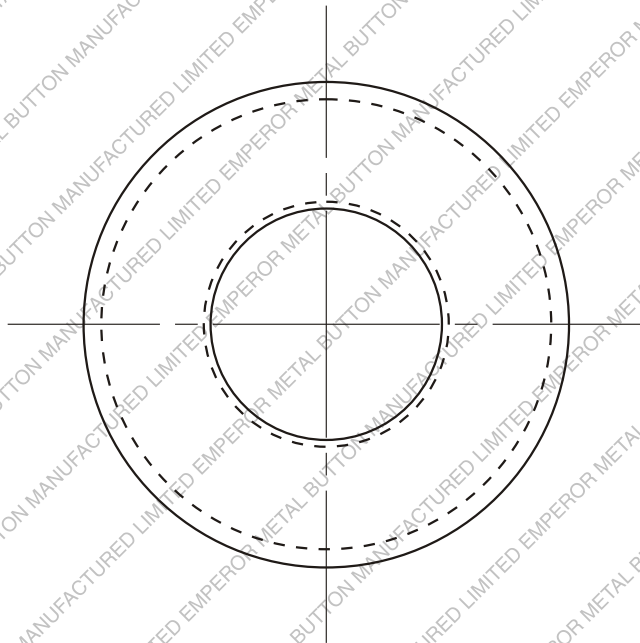


**ITS**

**TEST REPORT**

**ELECTROPLATING TEST REPORT**



TITLE

**CANVAS EYELET 5#**



MATERIAL  
**0.33  
BRASS**

HARDNESS

SCALE  
**2 : 1**

SHEET NO.  
**1 OF 1**

**EMPEROR**

METAL BUTTON MFY. LTD.

UNLESS OTHERWISE SPECIFIED

DIM	MM±	DIM	MM±	ANGLE±
.00	.2	.00	.02	