

ITS

TEST REPORT

ELECTROPLATING TEST REPORT

TITLE

484 B PART



MATERIAL  
0.23  
BRASS

HARDNESS

SCALE  
5 : 1

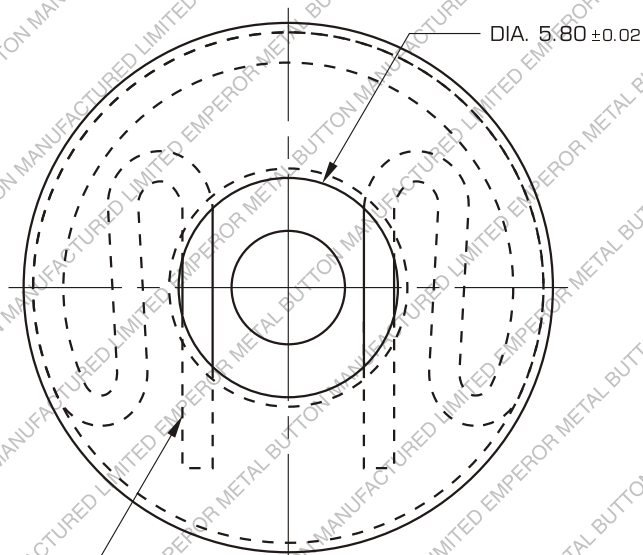
SHEET NO.  
1 OF 1

EMPEROR

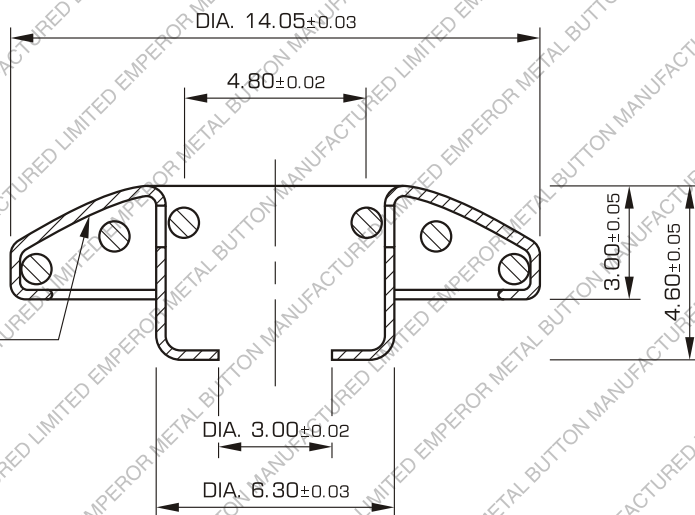
METAL BUTTON MFY. LTD.

UNLESS OTHERWISE SPECIFIED

DIM	MM±	DIM	MM±	ANGLE±
.00	.2	.00	.02	



DIA. 0.80 ± 0.01 ROD



FULL RADIUS  
NO FLAT