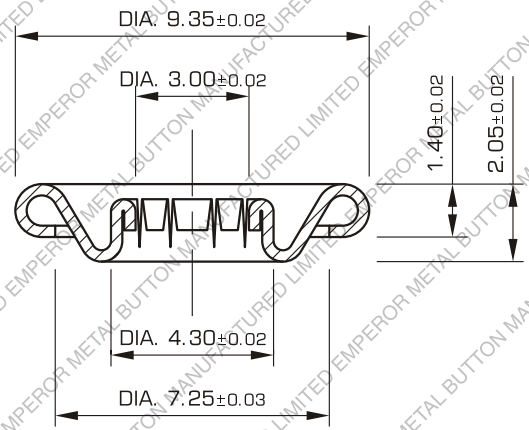
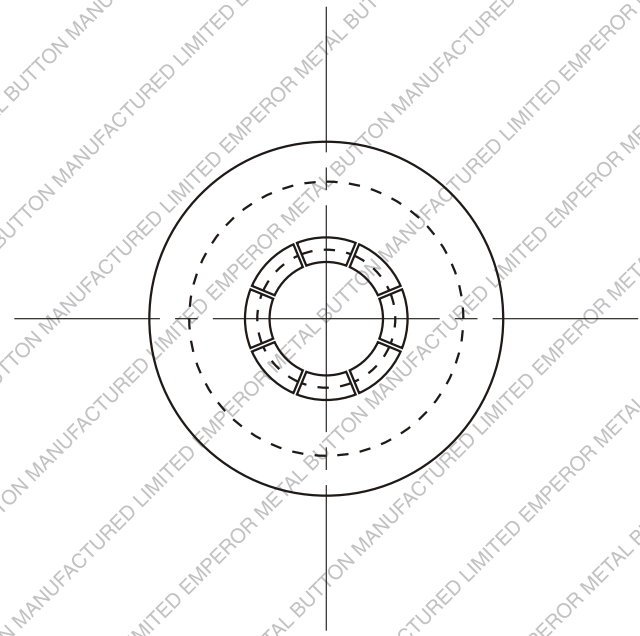


**ITS**

**TEST REPORT**

**ELECTROPLATING TEST REPORT**



TITLE  
**222 B PART**



MATERIAL	0.30 BRASS
HARDNESS	
SCALE	5 : 1
SHEET NO.	1 OF 1

**EMPEROR**  
METAL BUTTON MFY. LTD.

UNLESS OTHERWISE SPECIFIED

DIM	MM±	DIM	MM±	ANGLE±
.00	.2	.00	.02	