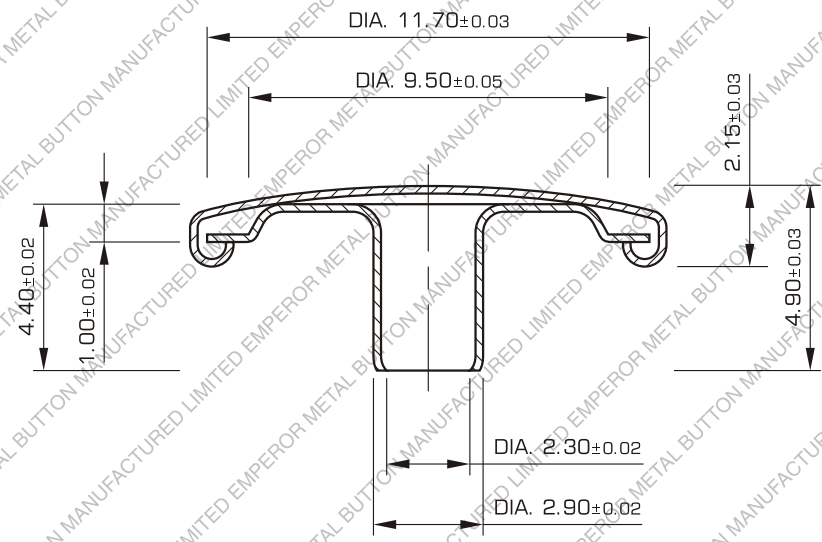
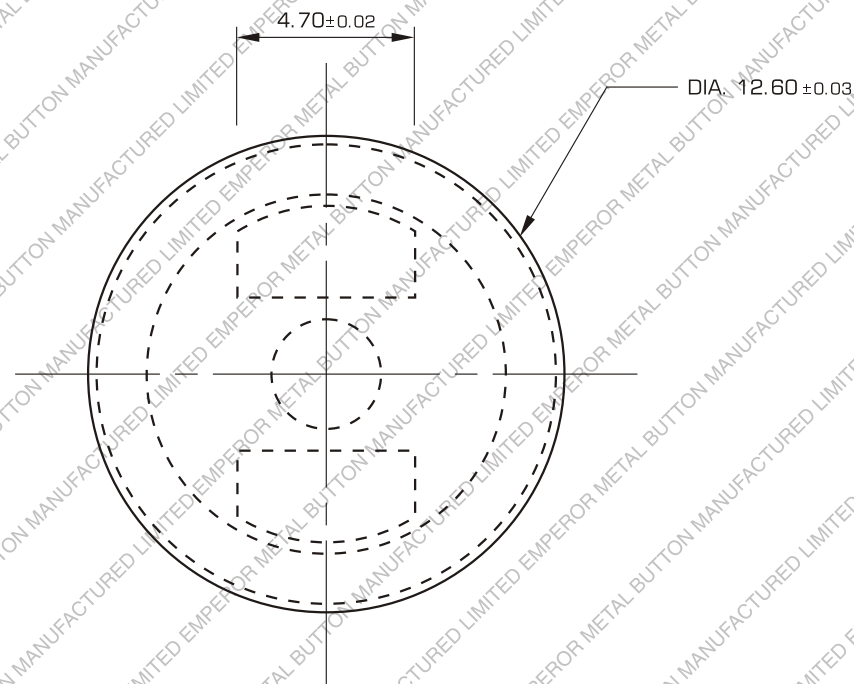


ITS

TEST REPORT

ELECTROPLATING TEST REPORT



TITLE
486 A PART



MATERIAL	0.23 BRASS
HARDNESS	
SCALE	5 : 1
SHEET NO.	1 OF 1

EMPEROR
METAL BUTTON MFY. LTD.

UNLESS OTHERWISE SPECIFIED

DIM	MM±	DIM	MM±	ANGLE±
.00	.2	.00	.02	