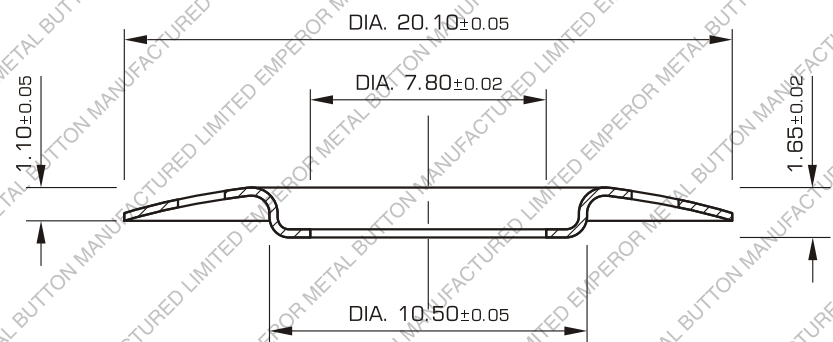
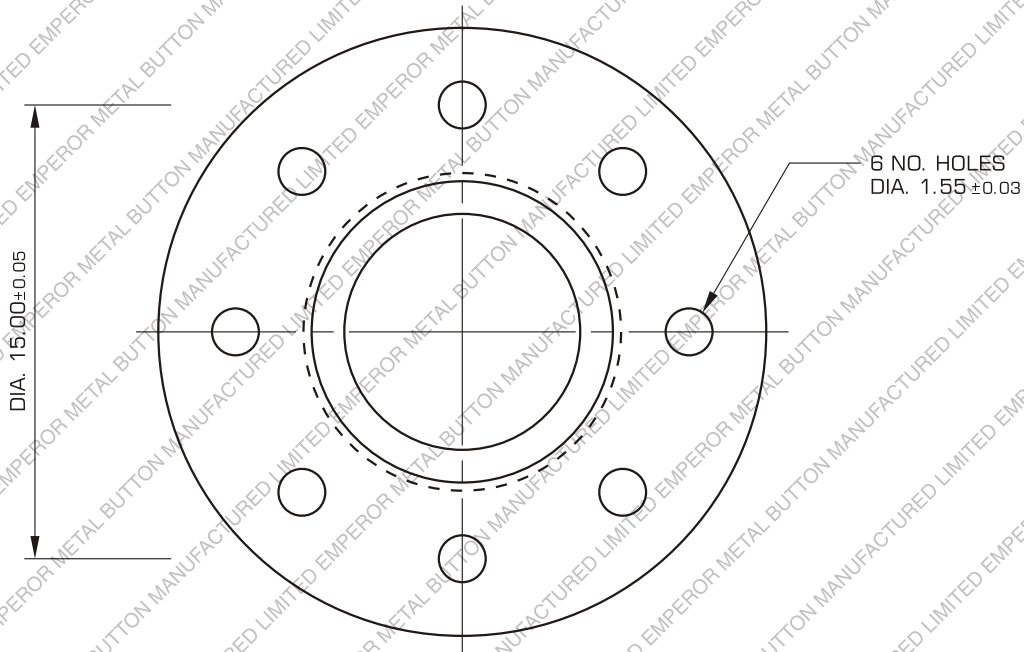


ITS

TEST REPORT

ELECTROPLATING TEST REPORT



TITLE

407 A PART



MATERIAL
**0.27
BRASS**

HARDNESS

SCALE
4 : 1

SHEET NO.
1 OF 1

EMPEROR

METAL BUTTON MFY. LTD.

UNLESS OTHERWISE SPECIFIED

DIM .00
MM ± .2

DIM .00
MM ± .02

ANGLE ±