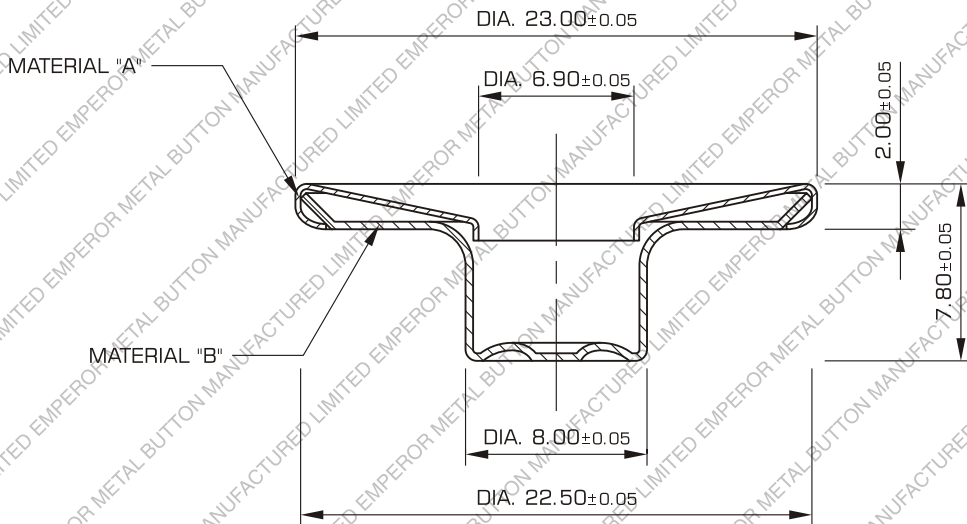
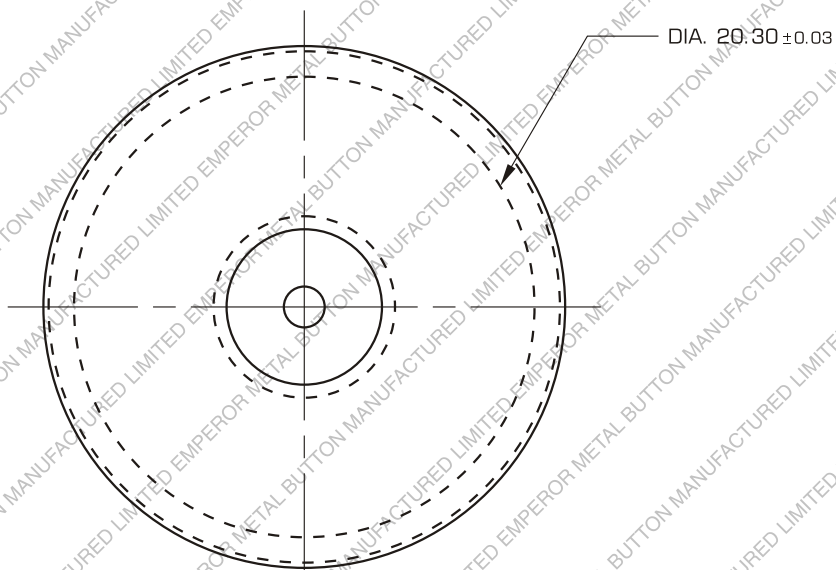


ITS

TEST REPORT

ELECTROPLATING TEST REPORT



TITLE

JB36bdbo 23mm



MATERIAL  
A-0.23 BRASS  
B-0.33 BRASS

HARDNESS

SCALE  
3 : 1

SHEET NO.  
1 OF 1

EMPEROR

METAL BUTTON MFY. LTD.

UNLESS OTHERWISE SPECIFIED

DIM .00  
MM± .2

DIM .00  
MM± .02

ANGLE±