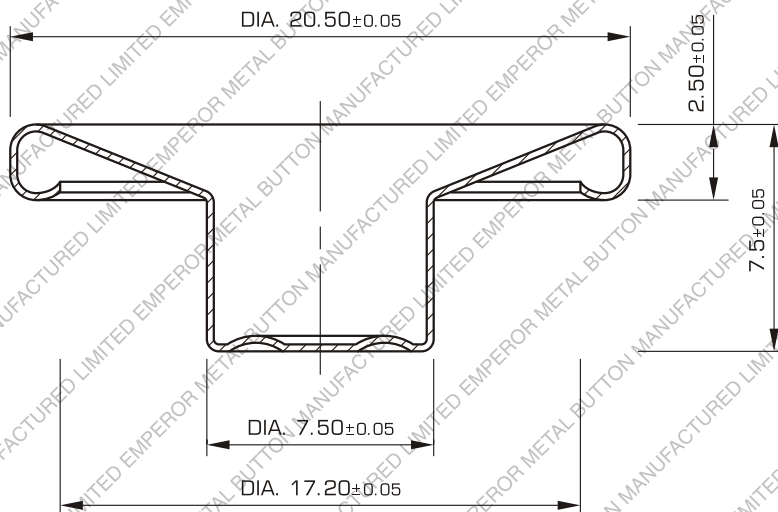
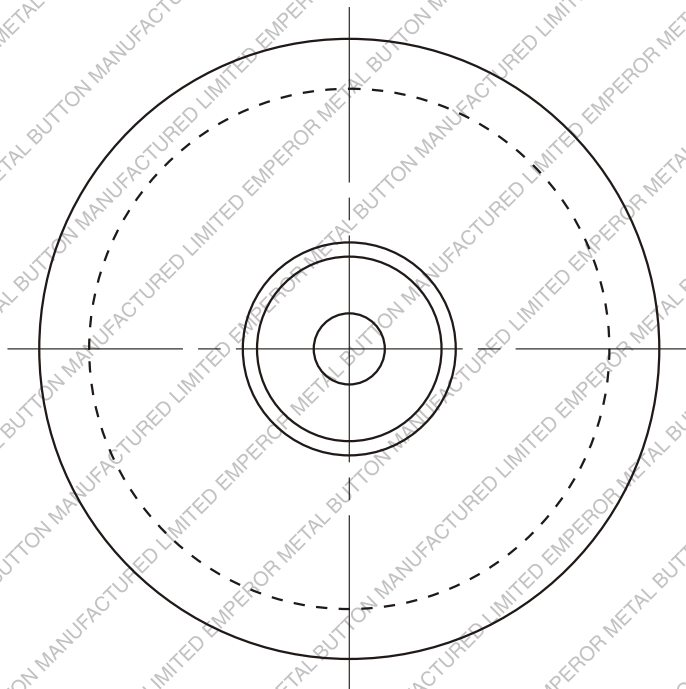


ITS

TEST REPORT

ELECTROPLATING TEST REPORT



TITLE

JB32bdbo 20.5mm



MATERIAL  
0.23  
BRASS

HARDNESS

SCALE  
4 : 1

SHEET NO.  
1 OF 1

EMPEROR

METAL BUTTON MFY. LTD.

UNLESS OTHERWISE SPECIFIED

DIM .00 MM± .2

DIM .00 MM± .02

ANGLE±