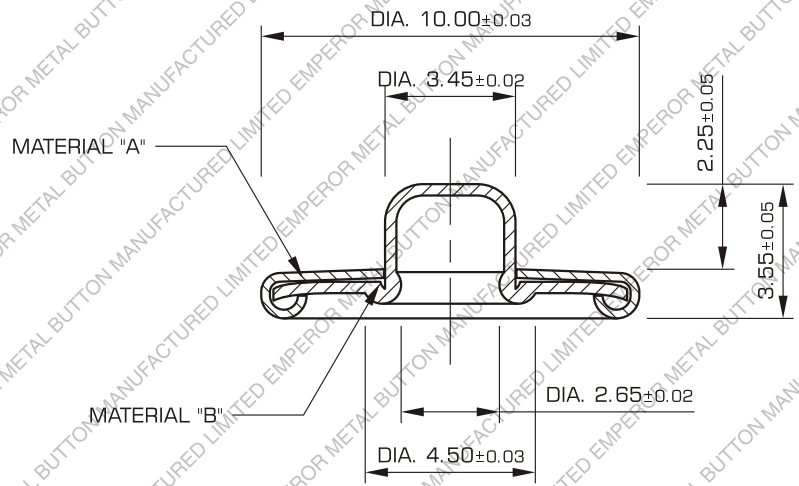
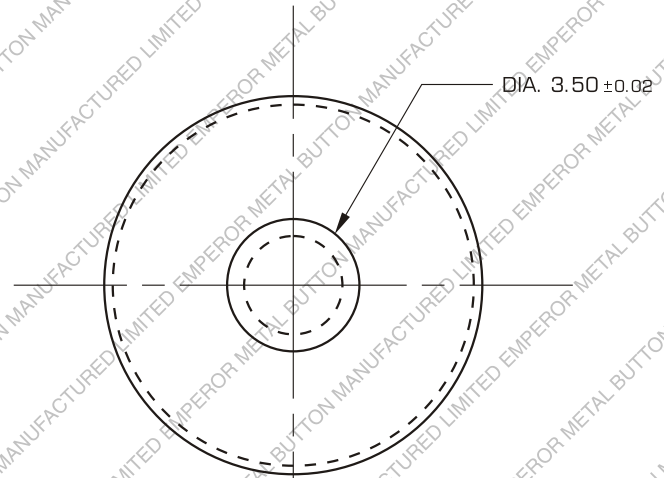


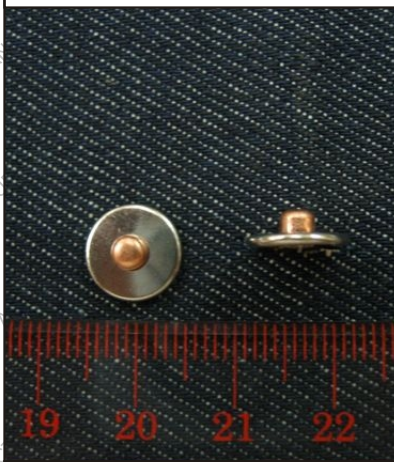
ITS

TEST REPORT

ELECTROPLATING TEST REPORT



TITLE  
10mm TWO TONE NIPPLE UP RIVET



MATERIAL  
A-0.30 BRASS  
B-0.23 BRASS

HARDNESS

SCALE  
5 : 1

SHEET NO.  
1 OF 1

EMPEROR

METAL BUTTON MFY. LTD.

UNLESS OTHERWISE SPECIFIED

DIM	MM±	DIM	MM±	ANGLE±
.00	.2	.00	.02	